

Release notes for Elos Accurate[®] Library 3shape

Elos Accurate[®] Hybrid Base[™] Kit – v7.2.0

Library exported to 3shape Dental manager 2016

May 2018

Content:

- Elos Accurate[®] Hybrid Base[™] Kit – New geometry 2



1

Elos Accurate[®] Hybrid Base[™] Kit – v7.2.0

Elos Accurate[®] Hybrid Base[™] Kit – New geometry

With this library update we have improved the inner geometry used for the Elos Accurate Hybrid Base Kit. The update is based on customer feedback regarding loose fit between the Elos Accurate Hybrid Base and the milled restoration.

Two support features has been added to the inner base geometry to help center the Hybrid Base in the milled restoration. The two new support features creates together with the locking, a Tri-pod feature that will balance and center the Hybrid Base.

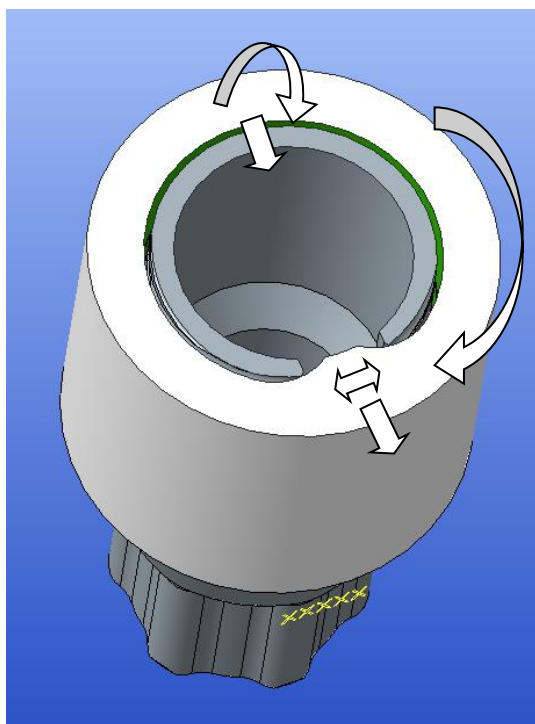


Figure 1. Movement of restoration relative to Hybrid Base, without optimized mating geometry.

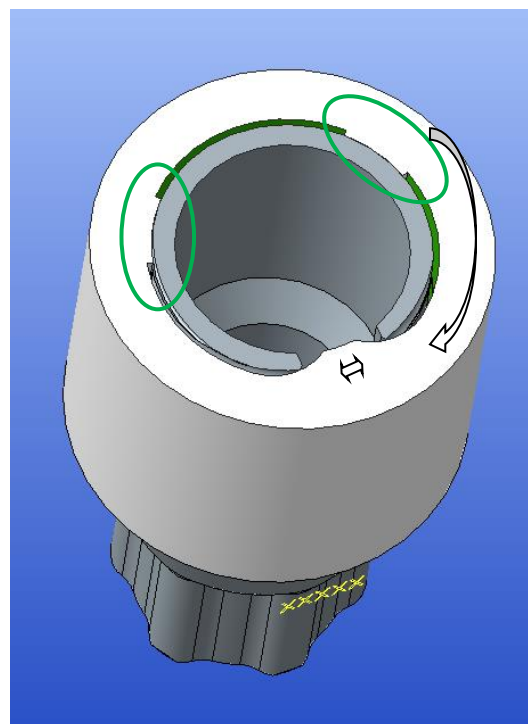


Figure 2. Optimized mating geometry restricting freedom of movement.

This update does not affect any physical products, and restorations can be milled the same way as the previous library versions.

Please note that the end result also depends on factors such as Milling Machine, CAM software and Tools.