

# Release notes for Elos Accurate<sup>®</sup> Library **exocad**

## Elos Accurate<sup>®</sup> Hybrid Base<sup>™</sup> Kit – v4.2.0

Compatible with Exocad version: DentalDB 2016.10 Build 6136

May 2018

### Content:

- Elos Accurate<sup>®</sup> Hybrid Base<sup>™</sup> Kit – New geometry 2



1

## Elos Accurate<sup>®</sup> Hybrid Base<sup>™</sup> Kit – v4.2.0

### Elos Accurate<sup>®</sup> Hybrid Base<sup>™</sup> Kit – New geometry

With this library update we have improved the inner geometry used for the Elos Accurate Hybrid Base Kit. The update is based on customer feedback regarding loose fit between the Elos Accurate Hybrid Base and the milled restoration.

Two support features has been added to the inner base geometry to help center the Elos Accurate Hybrid Base in the milled restoration. The two new support features creates together with the locking, a three-point centering feature that will balance and center the Elos Accurate Hybrid Base.

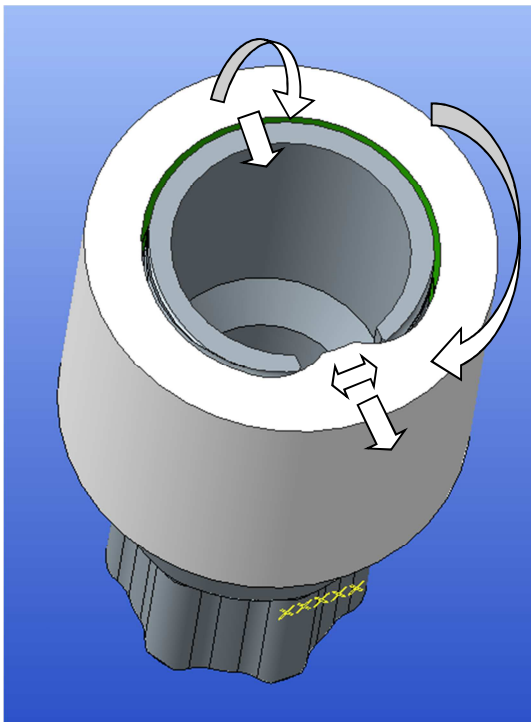


Figure 1. Movement of the restoration relative to the Elos Accurate Hybrid Base, without optimized mating geometry.

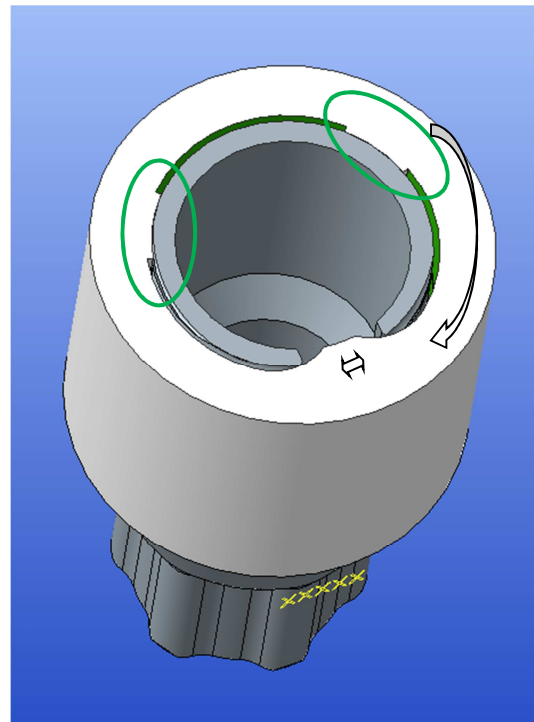


Figure 2. Optimized mating geometry restricting the freedom of movement.

This update does not affect any physical products, and the restorations can be milled the same way as in the previous library versions.

Please note that the end result also depends on factors such as Milling Machine, CAM software and Tools.